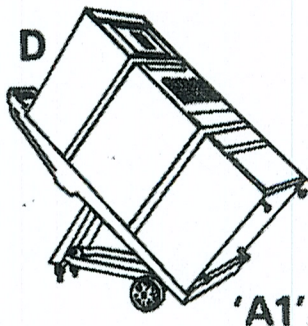
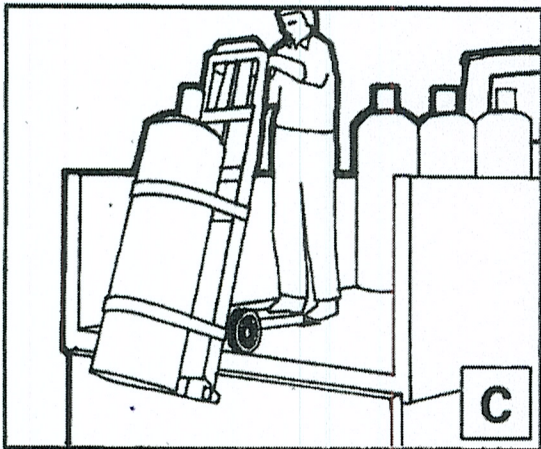
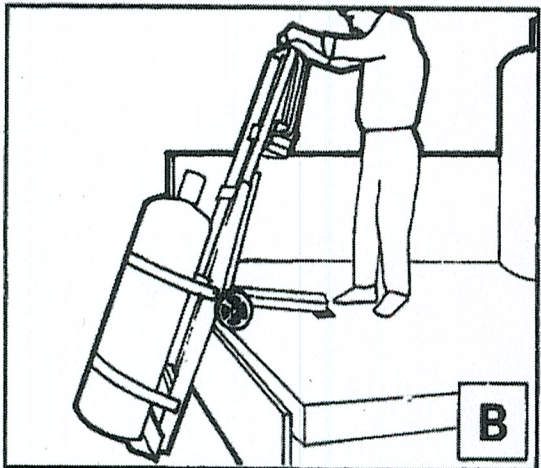
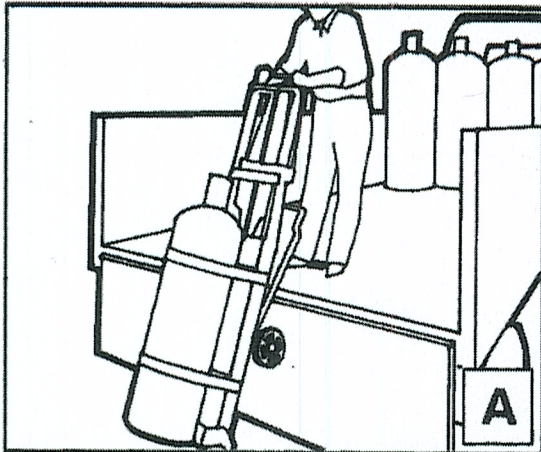


POWERMATE® OPERATION



Loading on a Vehicle

1. Position the *PowerMate*® as shown in "A" close to the tailgate or rear of the vehicle allowing room for the wheels of the *PowerMate*® to clear the vehicle when raising.
2. Push the "LOAD DOWN" button to raise the wheels until they rest on the vehicle bed. Lower the Hook Bar and engage the Hook Attachment (when installed) on the vehicle bed as shown in "B" and Detail "A1".
3. Push the "LOAD UP" button and raise the toeplate/load to the vehicle floor as shown in "C".
4. Disengage the Hook Attachment by pulling the *PowerMate*® away from the rear of the vehicle. The *PowerMate*® can now be positioned anywhere on the vehicle bed.

Unloading from a Vehicle

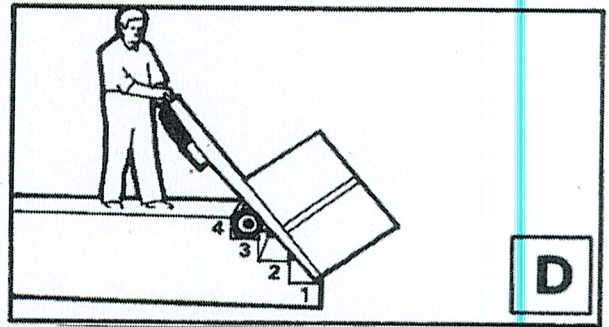
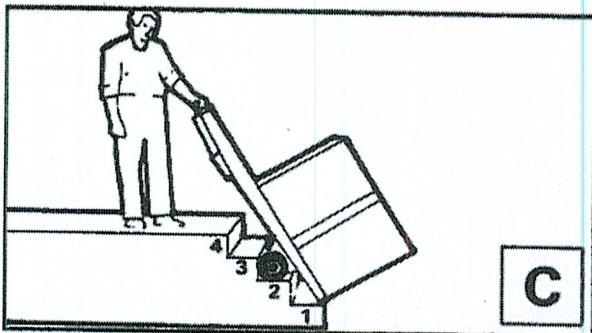
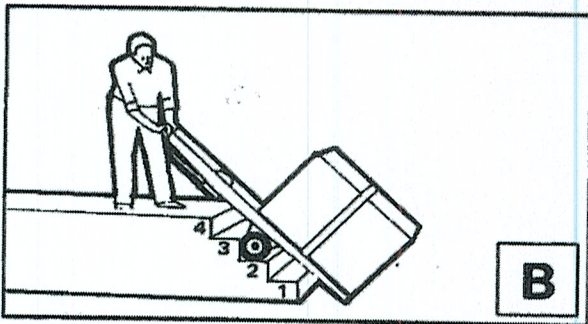
1. Lower the Hook Bar and connect to the Hook Attachment in the vehicle bed by positioning the *PowerMate*® as shown in "C" and Detail "A1".
2. Push the "LOAD DOWN" button to lower the *PowerMate*® toeplate and load to the ground as shown in "B".
3. Disengage the Hook Bar from the Hook Attachment and stand the *PowerMate*® upright.
4. Push the "LOAD UP" button to lower the wheels to the ground, whereupon the *PowerMate*® can be manoeuvred as required.
5. If desired, the retractable dolly can be unclipped and used in connection with the Hook Bar as shown in "D" to take the load and assist handling for horizontal movement.

POWERMATE OPERATION STAIR CLIMBING

Upstairs

- 1 Manoeuvre the **PowerMate®** backwards to the first step as shown in "A", just near enough to allow the wheels to clear the edge of the treads when raised as shown in "B".
- 2 Pivot the **PowerMate®** on the heel of the toe plate as shown in "B". Push the "LOAD DOWN" button to raise the wheels to rest on step 2.
- 3 Raise the toe plate off the ground, pivoting on the wheels of the **PowerMate®**. Push the "LOAD UP" button, raising the **PowerMate®** frame and load and resting the frame on step 1 as shown in "C".
- 4 Pivot the **PowerMate®** on the load frame so that the wheels are clear of the steps and push the "LOAD DOWN" button to raise the wheels to step 3 as shown in "D".

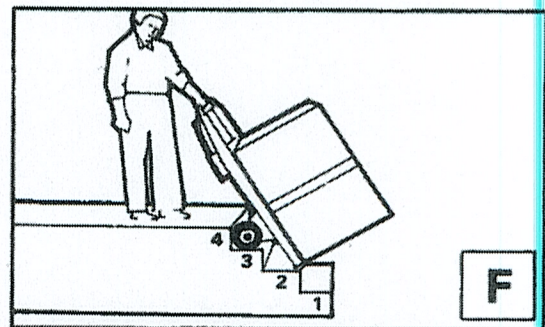
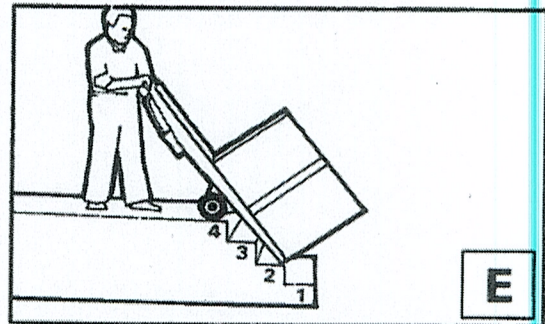
Repeat procedures 3 and 4 until the top of the stairs are reached.



Down Stairs

1. Position the **PowerMate®** at the top of the stairs with the load frame overhanging and clear of the steps. Push the "LOAD DOWN" button to lower the load and load frame, and rest it on step 2 as shown in "E".
2. Pivot the **PowerMate®** on the heel of the load frame and push the "LOAD UP" button which will lower the wheels to step 3 as shown in "F".
3. Pivot the **PowerMate®** on its wheels to lift the load frame clear of the steps and push the "LOAD DOWN" button to lower the load frame to rest on the toe plate on step 1.

Repeat procedures 2 and 3 until reaching the bottom of the stairs.



Additional Tips for Operating the M-Series PowerMate

To enjoy "Trouble Free" *PowerMate* operations, remember the following:

1. Keep the battery fully charged.
2. Follow the maintenance schedule and especially keep the screw clean and oiled with light machine oil.
3. *PowerMate*® equipment is designed to take advantage of balance and leverage principles. Work performed will be easier and safer when the load is maintained in a balanced position. The operator should locate the center of gravity position of an unfamiliar load prior to undertaking lifting or lowering operations.
4. New operators should be trained on light loads not exceeding 400 lbs. (182 kg), progressing to heavier loads after gaining experience.
5. Never unstrap a load with the wheels up.
6. Do not compress the top or bottom red bumpers on the drive screw when the unit has a load.
7. Never lay the *PowerMate*® unit down on the battery box when transporting.
8. Ensure the override bearing is properly adjusted on the drive screw.
9. Keep nuts and bolts tight on the dolly attachment and the hook bar.
10. Keep both hands on the handles when operating the *PowerMate*®.
11. When climbing stairs, keep the wheels at the back of the stair tread and the heel of the machine back a safe distance from the step edge.
12. It is essential for reliability, and to conform with current Health and Safety legislation, that your *PowerMate*® is maintained regularly. We recommend a bi-annual Service Agreement with L P International. Inc.